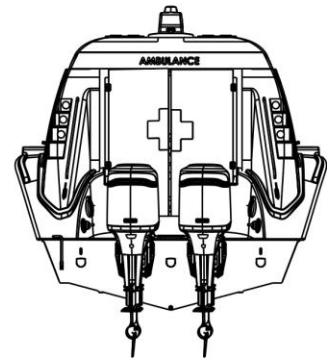
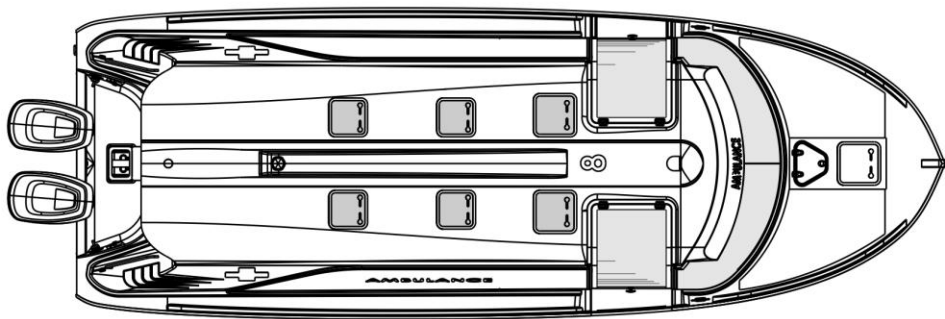
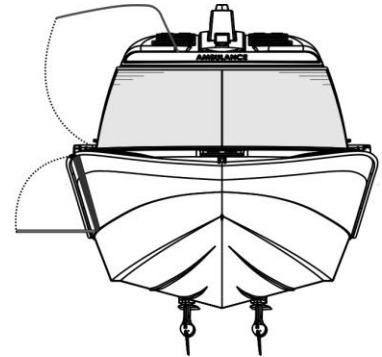
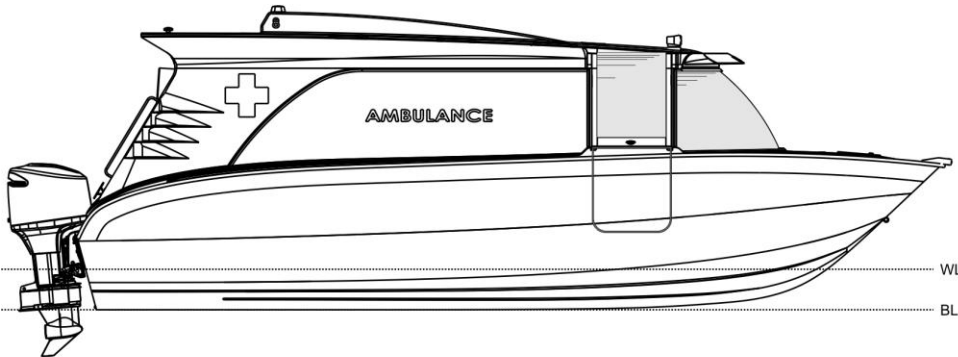


Datasheet

10m Ambulance – P325



Naval Design



Dimensional Data

Length Overall	10 m
Beam	3.5 m
Displacement	5.3 t
Fuel Capacity	500 L
Draft	0.5m
Deadrise angle @ transom	19°
Max Passengers	
Crew	3

Standard Features

- GRP construction
- Gullwing doors
- Mooring & Anchoring System
- Heavy Duty Fender System
- Bolster seat for Helmsman
- Non slip Deck
- Manual & Electric Bilge Pump
- Safety Equipment to meet Class Approval
- Navigation Equipment for Coastal & Inland
- Boarding Stairs

Engine Data

Max Power recommended

Hp	Max Speed,knt	Cruise Speed,knt	Range @ Cruise,nm	Endurance, hours
400	32	23	143	6
500	36	26	127	5
600	40	29	116	4

Options and Accessories

Can be transformed into inboard engine power
 Interior configuration can be transformed to meet client needs
 CUSTOM design option to meet the clients requirement

Design

KND naval design

Certification

CE / ISO

Propulsion

Outboard Motors

ADDRESS

61 Shortmarket Street
 Cape Town, 8000, South Africa

MOBILE
 TELEPHONE

+27 (0) 72 443 7444
 +27 (0) 21 424 4852

EMAIL
 WEBSITE

kobus@navaldesign.com
 www.kobusnavaldesign.com

*Please note that this is a non contractual document.
 We reserve the right to make changes without notice.