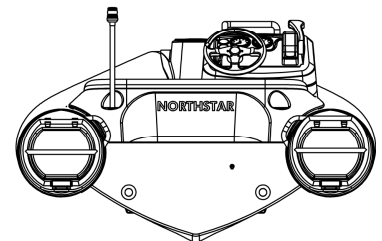
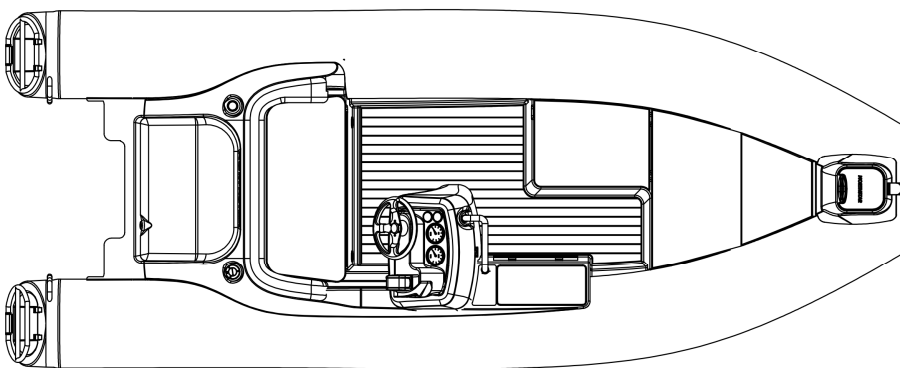
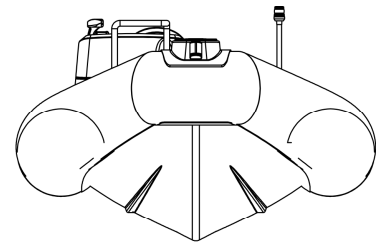
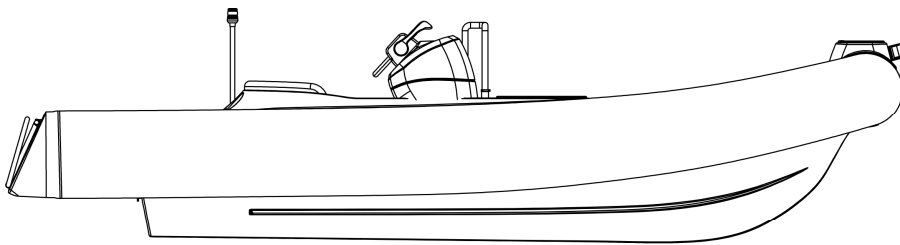


RF155 - DATASHEET

5m RIB



Naval Design



Dimensional Data

Length Overall	5 m
Beam overall	2 m
Displacement	685 kg
Fuel Capacity	90 L
Speed max	36 knots
Speed cruise	25 knots
Crew	1
Passengers	5
Design	KND

Engine Data

Max Power 90 hp Mercury outboard engine

Options And Accessories

- Anchor winch system
- Telescopic paddle
- Overall covers

Classification

- Design to meet ISO/CE CAT C

Standard Features

- Tube cone boarding ladder
- UHF radio
- Under seat storage capacity
- Lifting points
- Telescopic white light
- Fire extinguisher
- Bow and console boarding step
- Stainless steel fuel filler
- Adjustable boarding handrail
- Anchor and rope
- Pop up mooring cleats
- Collapsible console step

ADDRESS

Studio 403, Old Castle Brewery
6 Beach Road, Woodstock
Cape Town, 8000, South Africa

TELEPHONE
FACSIMILE

+27 (0) 21 448 9464
+27 (0) 21 447 9468

EMAIL
WEBSITE

info@navaldesign.com
www.navaldesign.com

*Please note that this is a non contractual document.
We reserve the right to make changes without notice.