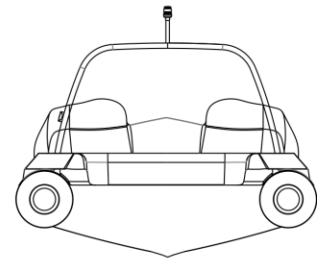
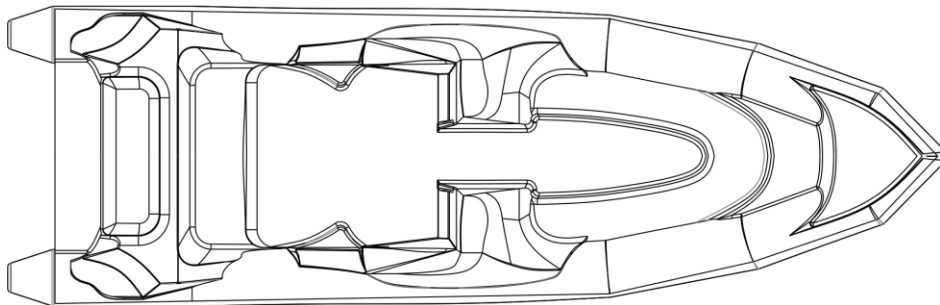
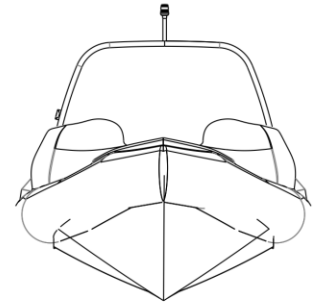
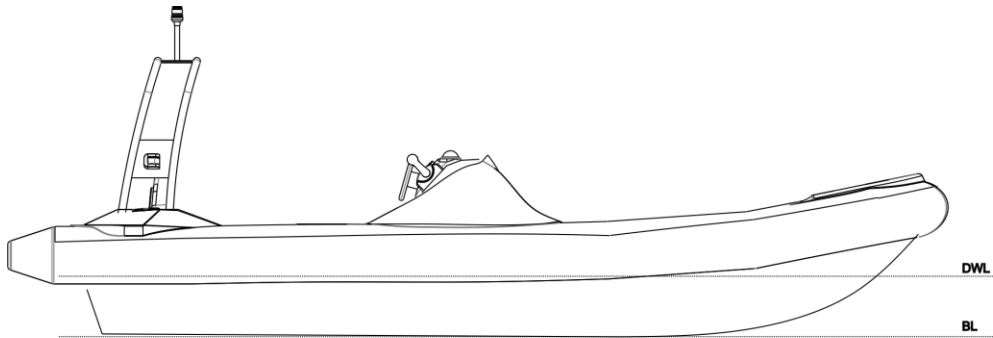


# Datasheet

8.8m Leisure Rib



Naval Design



## Dimensional Data

Length Overall	8800 mm
Beam	2900 mm
Displacement - Lightship	2400 kg
Fuel Capacity	400 L
Draft	0.4 m
Deadrise angle @ transom	23°
Freeboard @ amidships	0.5 m
Max passengers	9
Berths	N/A
WC	N/A

## Standard Features

- GRP construction
- Safety rails
- Mooring bits
- Heavy duty fender system
- Seats for helmsman
- Non slip deck
- Manual and electric bilge pump
- Safety equipment to meet class approval
- Navigation equipment
- Sunbed
- Removable table

## Engine Data

Max Power recommended

Hp	Max Speed,knt	Cruise Speed,knt	Range @ Cruise,nm	Endurance, hours
150	36	26	136	5
250	47	34	105	3
300	52	37	96	3

## Options and Accessories

- A-Frame Bimini
- Lifting point (x4)

## Design

KND naval design

## Certification

CE

## Propulsion

Outboard engines

ADDRESS

61 Shortmarket Street  
Cape Town, 8000, South Africa

MOBILE  
TELEPHONE

+27 (0) 72 443 7444  
+27 (0) 21 424 4852

EMAIL  
WEBSITE

kobus@navaldesign.com  
www.kobusnavaldesign.com

\*Please note that this is a non contractual document.  
We reserve the right to make changes without notice.