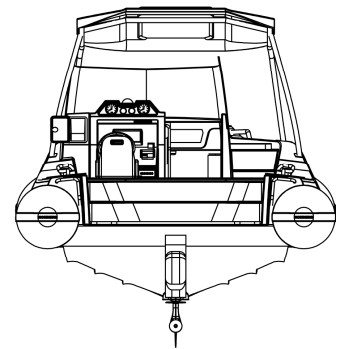
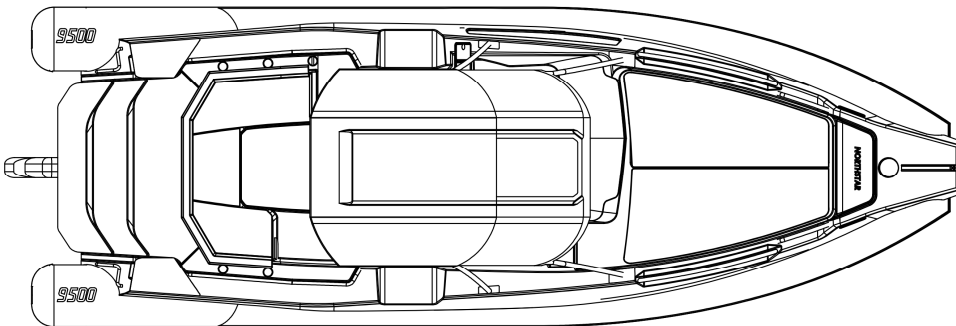
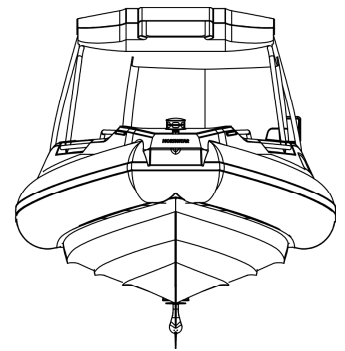
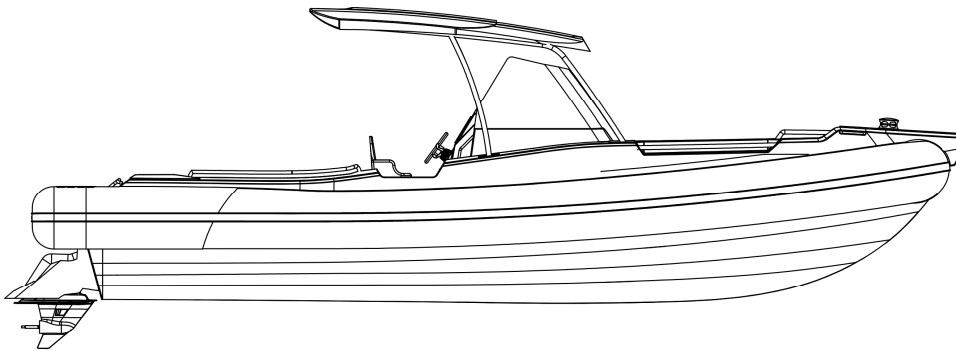


# LE 9500 RIB - DATASHEET

9500 LUXURY RIB



Naval Design



## Dimensional Data

Length Overall	9.5 m
Beam overall	3 m
Displacement	3.2 t
Fuel Capacity	440 L
Speed max	36 knots
Speed cruise	25 knots
Range at cruise speed	151 Nm
Crew	1
Passengers	8
Design	KND

## Engine Data

2x ME432 inboard  
2x 175hp

## Options And Accessories

- Anchor winch system
- Chemical toilet

## Classifications

- Designed to meet class ISO/CE CAT B

## Standard Features

- Inboard and outboard version
- Full marine VHF radio
- Air conditioned lockable cabin
- Depth finder
- Electric and manual bilge pumps
- GPS
- Foam flotation
- Electronics distribution channel
- Steel grab rails
- Fire extinguishers
- 1x helm bolster seat
- Rechargeable mooring cleats
- Under seat locker space

ADDRESS

Studio 403, Old Castle Brewery  
6 Beach Road, Woodstock  
Cape Town, 8000, South Africa

TELEPHONE  
FACSIMILE

+27 (0) 21 448 9464  
+27 (0) 21 447 9468

EMAIL  
WEBSITE

info@navaldesign.com  
www.navaldesign.com

\*Please note that this is a non contractual document.  
We reserve the right to make changes without notice.