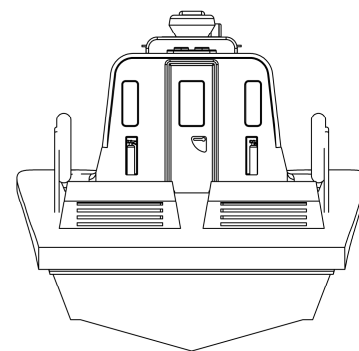
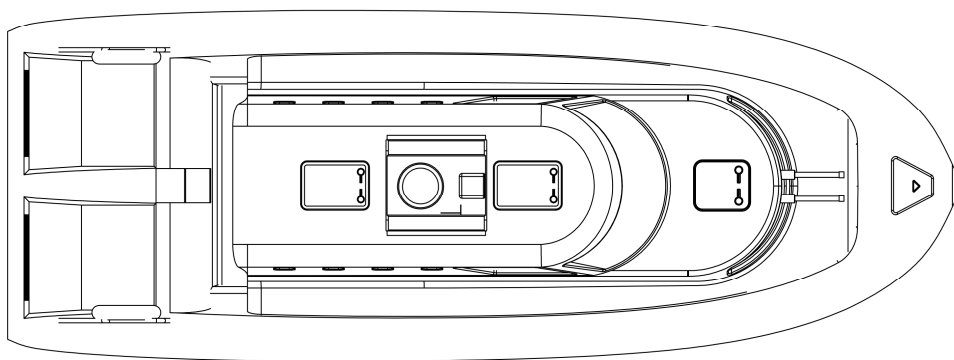
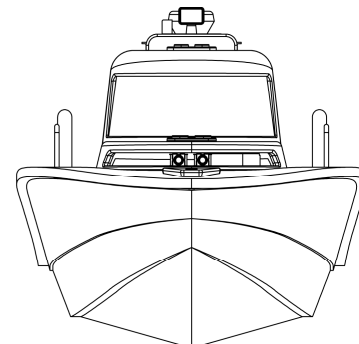
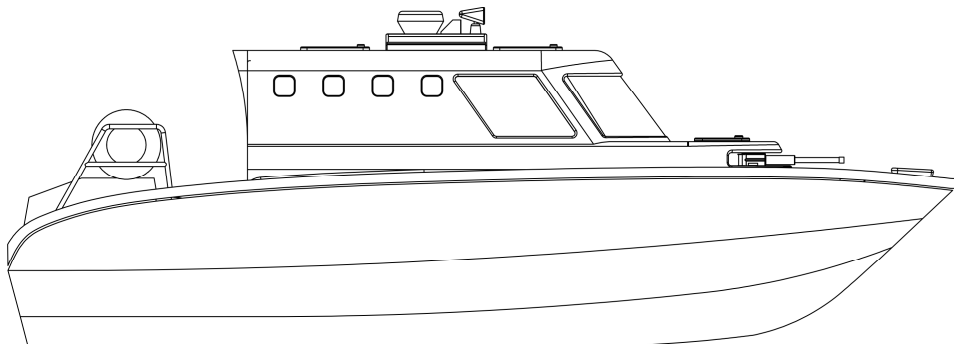


GUARDIAN - DATASHEET

PATROL/POLICE



Naval Design



Dimensional Data

Length Overall	10 m
Beam overall	3.5 m
Displacement	4.5 t
Fuel Capacity	1000 L
Speed max	40 knots
Speed cruise	28 knots
Range at cruise speed	440 Nm
Crew	2
Passengers	12
Design	KND

Engine Data

Max Power 500 BHP

Options And Accessories

- Anchor winch system
- Ballistic protection

Classification

- To meet client's demand

Standard Features

- Full marine VHF radio
- Loud-hailer
- Air conditioned lockable cabin
- Windscreen wipers
- Depth finder
- Electric and manual bilge pumps
- GPS
- Foam floatation
- Remote controlled search light
- Electronics distribution panel
- Steel grab-rails
- Fire extinguishers
- GRP construction
- Safety equipment

ADDRESS

Studio 403, Old Castle Brewery
6 Beach Road, Woodstock
Cape Town, 8000, South Africa

TELEPHONE FACSIMILE

+27 (0) 21 448 9464
+27 (0) 21 447 9468

EMAIL WEBSITE

info@navaldesign.com
www.navaldesign.com

*Please note that this is a non contractual document.
We reserve the right to make changes without notice.