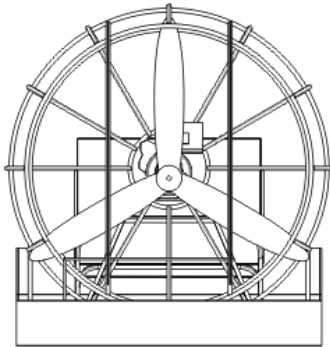
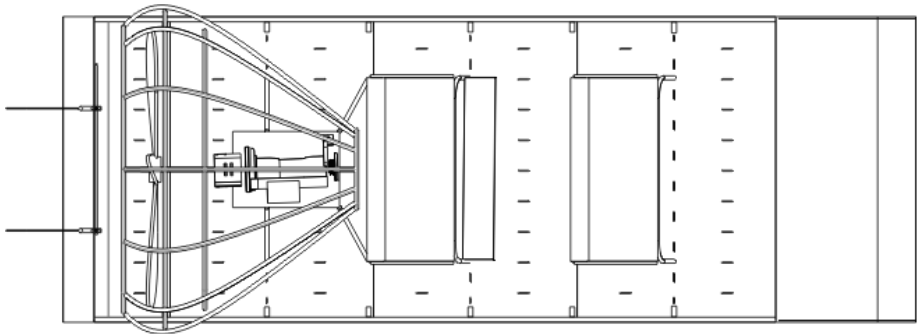
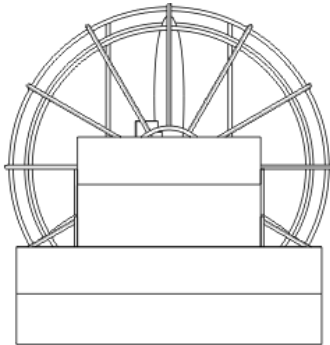
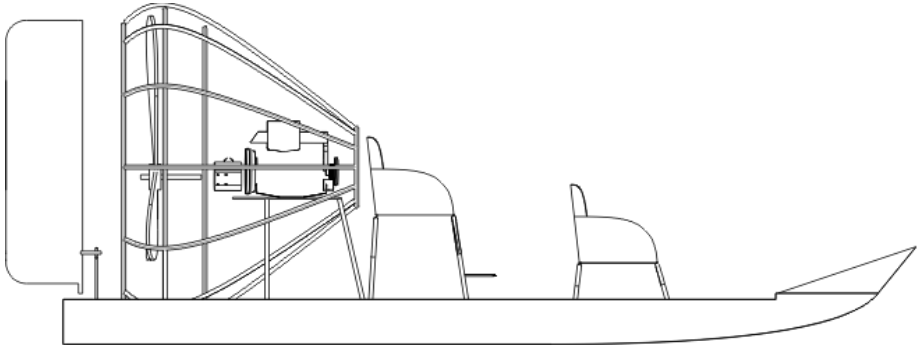




Naval Design

Datasheet

8m Airboat – P362



Dimensional Data

Length Overall	8000 mm
Beam	3000 mm
Displacement	1.7t
Fuel Capacity	200 L
Deadrise angle @ transom	0 deg
Freeboard @ amidships	400 mm
Max passengers	5
Berths	n.a
WC	n.a

- Aluminum construction
- Non slip deck
- Manual and electric bilge pump
- Safety equipment to meet class approval
- CUSTOM design option to meet the clients requirement

Options and Accessories

- Various seating arrangement
- A-Frame with self-righting bag
- Lifting point x 4
- Quick release tow hook

Engine Data

Max Power recommended

Hp	Max Speed,knt	Cruise Speed,knt	Range @ Cruise,nm	Endurance, hours
450	41	30	143	5

Design

KND naval design

Certification

CE / ISO

Propulsion

Fan Propulsion

ADDRESS

61 Shortmarket Street
Cape Town, 8000, South Africa

MOBILE
TELEPHONE

+27 (0) 72 443 7444
+27 (0) 21 424 4852

EMAIL
WEBSITE

kobus@navaldesign.com
www.kobusnavaldesign.com

*Please note that this is a non contractual document.
We reserve the right to make changes without notice.